

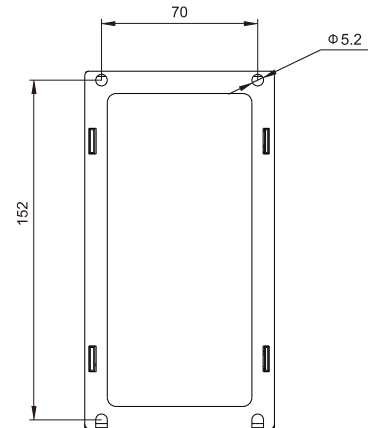
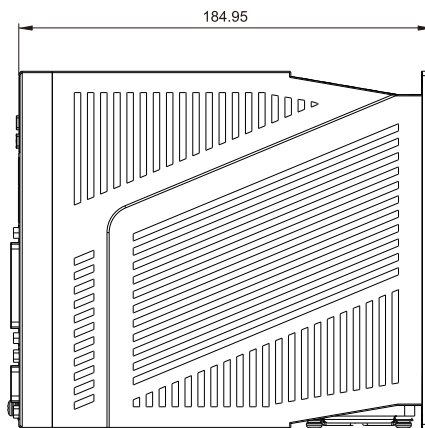
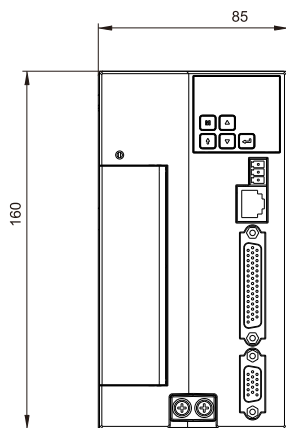
Drive Model	Motor Model	Power (kw)	Speed (rpm)
VD2-150SE1G	WD130M-15025S-E1B	1.5	2500
VD2-180SE1G	WD110M-18030S-E1B	1.8	3000



## SPECIFICATION

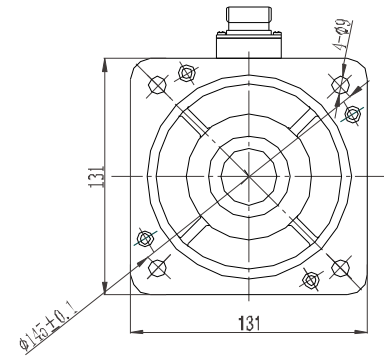
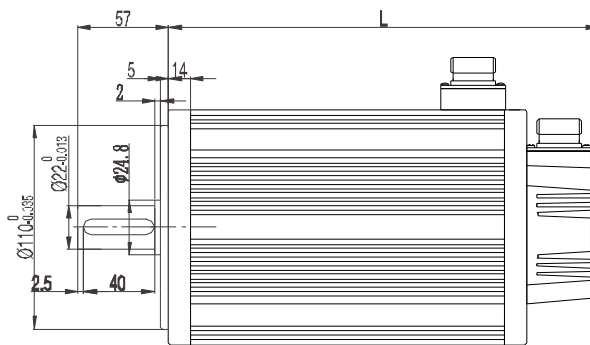
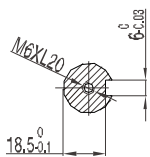
Item	Content
Control Method	IGBT PWM controlled sine wave current drive
Encoder	2500ppr incremental encoder, 17 bit absolute encoder
Input Signal	8*DI, Select input function according to function code configuration
Output Signal	4*DO, Select output function according to function code configuration
Analog Signal Input	2 channel AI input, range(-10v~10v)
Pulse Signal Input	Open collector or differential input
Pulse Feedback Output	A, B, Z differential output
Internal Instructions	Support 8 internal speed commands and multiple internal position commands
Communication	Modbus channel 1 PC RS422 port, Parameter setting, monitoring status, waveform viewing, parameter auto-tuning, via computer
Braking Resistor	Built-in braking resistor, supporting external braking resistor
General Function	Automatic Parameter Tuning It can cooperate with the host computer for automatic load inertia identification and automatic rigidity level, and the parameters self-tuning.
Waveform Viewing	View position, speed, torque and other curves on PC in real time
Waveform Storage	The waveform sampling frequency is 1KHz, and the original waveform data can be stored for up to 10s
Parameter Import/export	Support batch parameter import and export; support PLC automatic configuration of servo parameters (supported by some models)
Vibration Suppression	Suppress mechanical vibration by setting vibration suppression parameters
Protective Function	Overvoltage, undervoltage, overcurrent, overspeed, overload, overheating, encoder failure, excessive position deviation, torque limit, speed limit, etc.
Brake	Support brake output control
Universal Control DI	Servo enable (SON), fault and warning clear (A-CLR), forward drive prohibition (POT), reverse drive prohibition (NOT), command reverse (C-SIGN), emergency stop (E-STOP), Gain switching (GAIN-SEL), Multi-stage internal speed command selection(INSPD1、 INSPD2、 INSPD3)
Universal Control DO	Servo ready (RDY), fault signal (ALM), warning signal (WARN), rotation detection (TGON), zero speed signal (ZSP), torque limit (T-LIMIT), speed limit (V-LIMIT),servo on state output (SRV-ST)
Position Mode	Input Control Deviation counter clear (CL), electronic gear switching 1 (GEAR-SEL), pulse input inhibit (INH), command inversion (C-SIGN), servo brake output (BRK-OFF) Output Control Positioning complete (P-COIN), positioning approach (P-NEAR)
Pulse Input	Pulse Frequency max. 500khz Pulse Type Pulse + Direction, CCW/CW pulse, Orthogonal coding

	Electronic Gear Ratio	Range: 0.01~100
	Pulse Filtering	low-pass filter or smooth filter
	Pulse Output	Differential orthogonal coding A, B, Z output, PPR is settable, can be set to integer or fraction
	Torque Limit	Forward / reverse operation torque limit is settable
	Speed Limit	Forward / reverse operation speed limit is settable
Speed Mode	Control Input	Zero clamp (ZCLAMP) ,command inversion (C-SIGN) ,Speed limit analog input
	Control Output	Velocity consistent (V-COIN) ,Speed approach (V-NEAR)
Command Input	Analog Input	-10V~+10V analog input
	Internal Command	set the speed via internal function code
	Soft Start	acc. and dec. time are settable
	Zero Clamp	Motor speed can be clamped to zero via the setting of zero clamp function
Torque Mode	Torque Limit	set the torque limit
	Command Output	Command inversion (C-SIGN) , Speed limit analog input
Command Input	Analog Input	-10V~+10V analog input
	Internal Command	Set torque through internal parameter
	Speed Limit	Limits maximum speed in torque mode



## 130 Series Motor Specification

Moto model	WD130M-15025S-E1B
Rated power (kW)	1.5
Rated current (A)	6.0
Rated torque (N·m)	6
Max. torque (N·m)	18
Rated speed (r/min)	2500
Rotor Inertia (Kg·m <sup>2</sup> )	1.26×10 <sup>-3</sup>
Torque constant-KT (N·m/A)	0.48
Without Brake Dimension (L)	179mm
With Brake Dimension (L)	249mm



## 110 Series Motor Specification

Moto model	WD110M-18030S-E1B
Rated power (kW)	1.8
Rated current (A)	6.0
Rated torque (N·m)	6
Max. torque (N·m)	18
Rated speed (r/min)	3000
Rotor Inertia (Kg·m <sup>2</sup> )	$0.76 \times 10^{-3}$
Torque constant-KT (N·m/A)	1
Without Brake Dimension (L)	219mm
With Brake Dimension (L)	293mm

